

Reflections Trim (Warm Color Dimming)

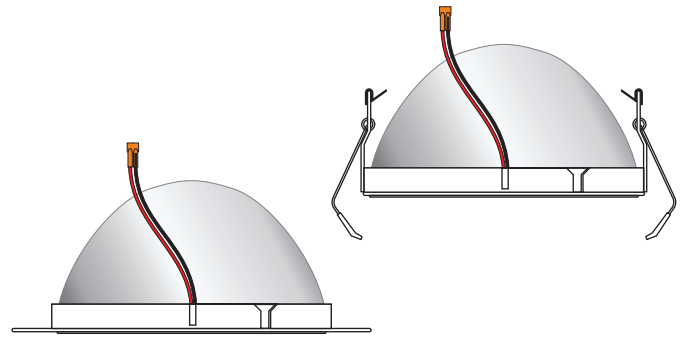
EDIT_WD_ 1.0

VISUAL COMFORT & CO.

ARCHITECTURAL COLLECTION

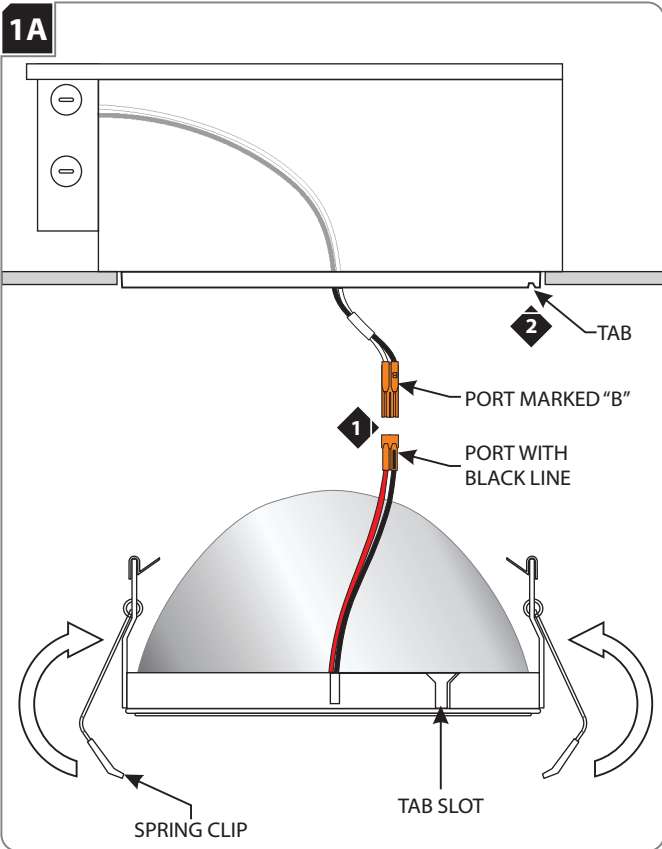
Use the instructions provided with housing to complete the housing installation before beginning trim installation.

NOTE: If installing the Warm Dim trim without a dimmer, see the wiring instructions on Page 3 before proceeding.

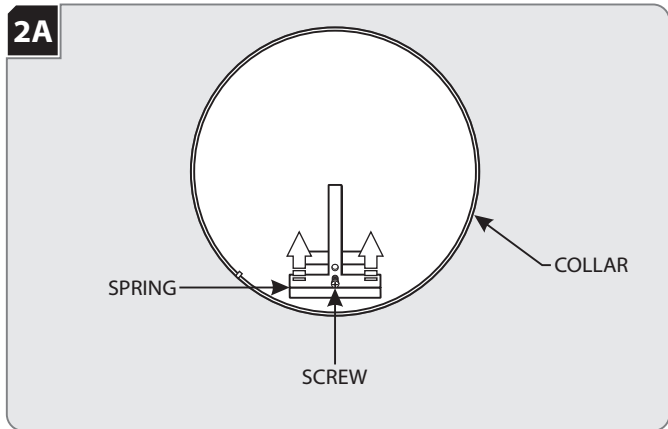


SAVE THESE INSTRUCTIONS!

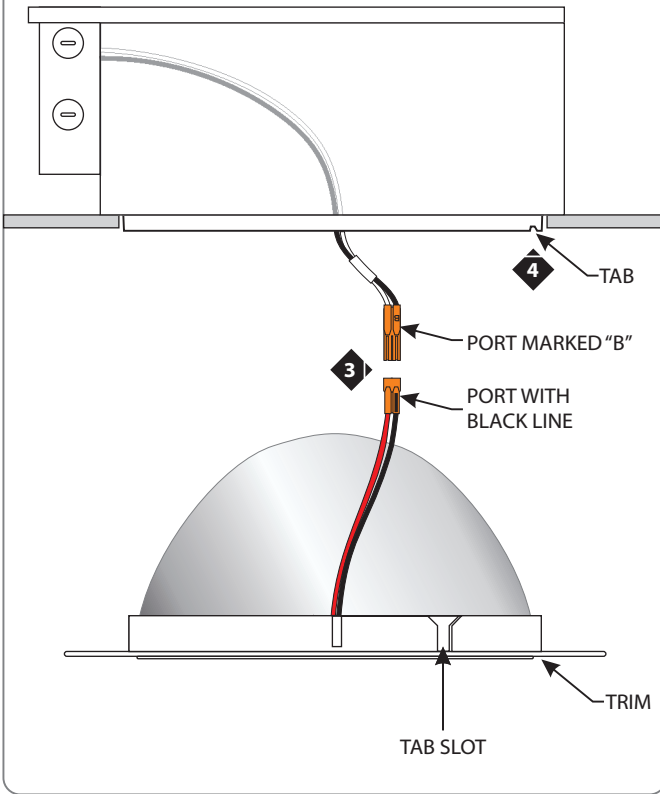
Install the Trim (For Flanged Versions)



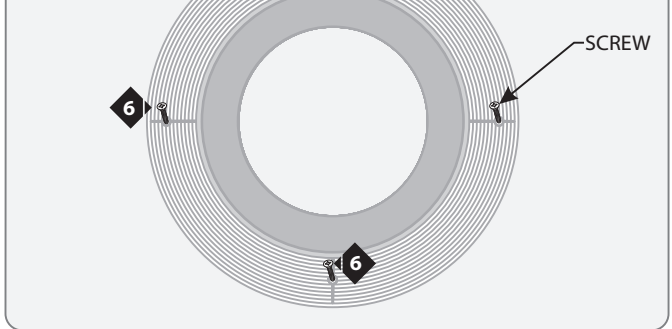
- 1 Connect the jumper cable to the trim making sure the port marked "B" is paired with the port with a black line.
- 2 Line up the tab slot on the trim with the tab on the collar and spread the two spring clips outward, then push the trim into the housing until secure making sure to neatly tuck in any wiring. **NOTE:** It is recommended to install the trim by first inserting the spring clips opposite the side of the wiring to prevent wires from becoming pinched.



- 1 Release the spring by removing the screw.

2B

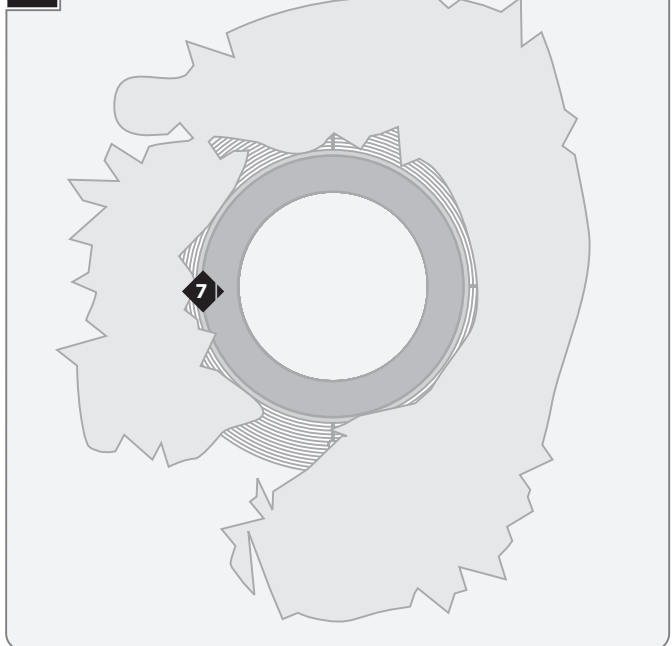
- 2 Connect the jumper cable to the trim making sure the port marked "B" is paired with the port with a black line.
- 3 Line up the tab slot on the trim with the tab on the collar.
- 4 Push the trim into the housing to secure in place making sure to neatly tuck in any wiring.

2C

- 6 Secure the trim in place with the four drywall screws appropriate for your drywall thickness. Make sure that the screws penetrate through the drywall. **NOTE:** 12" versions contain six screws.

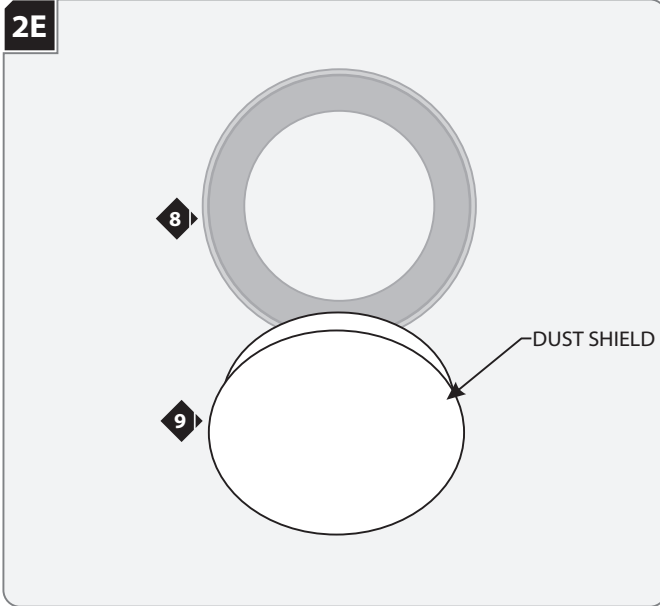
- For 1/2 or 5/8 drywall, use 1.25" drywall screws.
- For 3/4, 7/8, or 1" drywall, use 1.625" drywall screws.

NOTE: Do not overtighten the screws!
Overtightening may break the trim, causing the plaster surface to come away from the drywall.

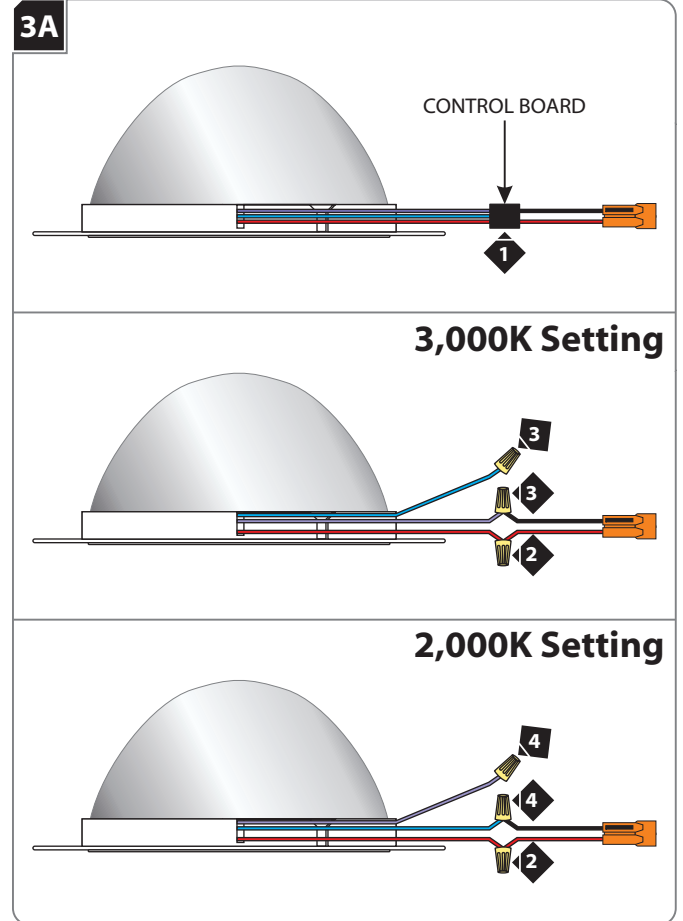
2D

- 7 Properly plaster onto the plaster ring and drywall.

Prepare the Trim (no dimmer installed)



- 8** The trim may be painted to match the ceiling.
- 9** Remove the dust shield.



- 1** Depress the locking pad on the wire connectors and remove the 5 wires from the control board. Discard the control board.
- 2** Connect the red wire from the trim to the red wire on the cable.
- 3** **To operate fixture at 3,000K only:** Connect the purple wire from the trim to the black wire on the cable. Cap off the blue wire.
- 4** **To operate fixture at 2,000K only:** Connect the blue wire from the trim to the black wire on the cable. Cap off the purple wire.
- 5** Cap off or remove the purple and gray wires (for 0-10V dimming) from the driver.
- 6** Refer to the beginning of these instructions to install the trim.

